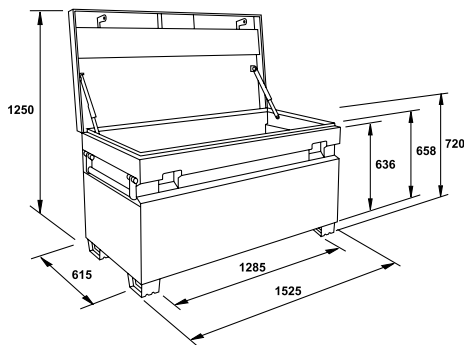
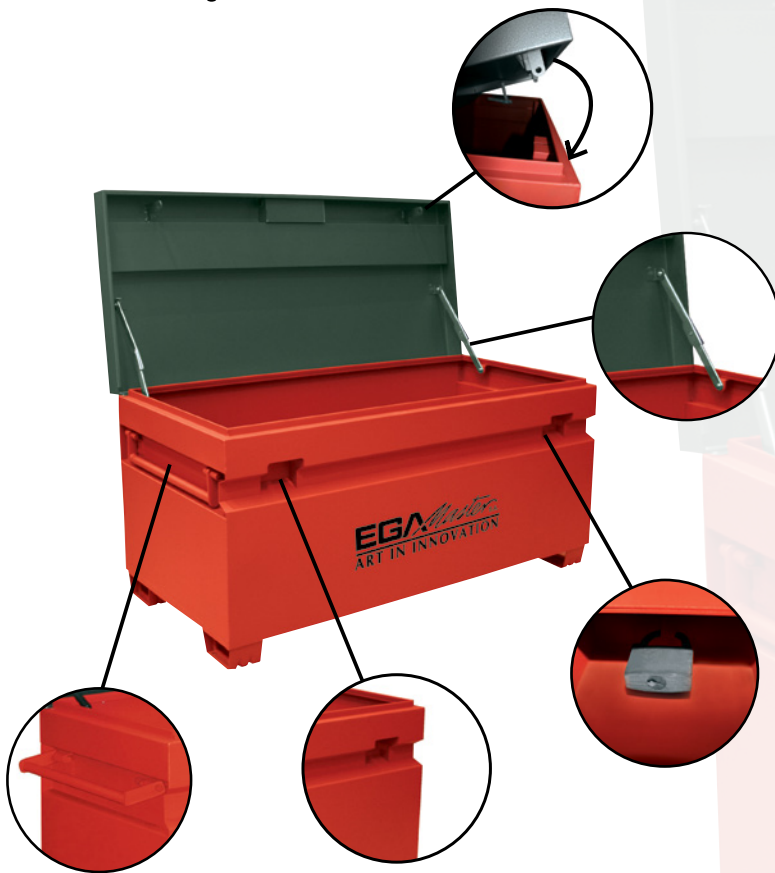


# METALLIC JOBSITE BOX

EGA Master chests are specially designed for use in even the most harsh conditions, such as those found in construction or any fields that require the use of large tools.

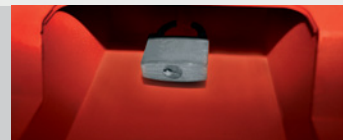
**Four sizes are available, to match the requirements of the user.**  
The long lasting powder coated finish is very resistant and ready for use in demanding conditions.



**1. Large capacity** for the storage of all types of tools.

**2. Made of high quality steel.**

**3. Suitable for use with a padlock for security.**



**4. They can support up to 300 kg of static load and dynamic load of up to 200Kg.**

**5. Side handles.**

**6. They can be easily carried by pallet thanks to the special leg design.**

COD	LxWxH	Overall thickness	Base thickness	Kg. MAX	Kg.
50989	1525x615x720	1,5mm	2,5mm	300	74